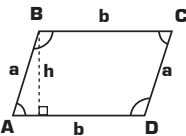
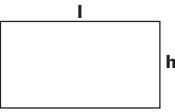
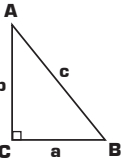
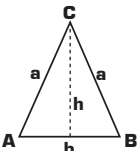

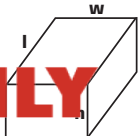
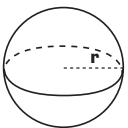



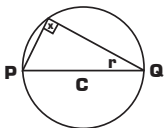
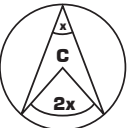
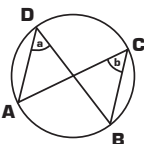


MATHEMATICS *area & volume*

<p>PARALLELOGRAM</p>  <p>Area of ABCD = bh</p>	<p>RECTANGLE</p>  <p>Perimeter = 2(l + h) Area = l x h</p>	<p>RIGHT TRIANGLE</p>  <p>Area = ab/2 c² = a² + b² (Pythagorean Theorem)</p>
--	--	---

<p>ISOSCELES TRIANGLE</p>  <p>Area = bh/2</p>	<p>CIRCLE</p>  <p>REVIEW ONLY</p> <p>School Gatebooks</p> <p>Circumference of a circle = 2πr Area of a circle = πr²</p>	<p>RECTANGULAR PRISM</p>  <p>Surface area of a prism = 2(lw + lh + wh) Volume of a prism = l x w x h</p>
--	--	--

<p>SPHERE</p>  <p>Surface area of a sphere = 4πr² Volume of a sphere = 4πr³/3</p>	<p>CYLINDER</p>  <p>Surface area of a cylinder = 2πrh + 2πr² Volume of a cylinder = πr²h</p>	<p>CONE</p>  <p>Surface area of a cone = πrl + πr² (l = slant height) Volume of a cone = πr²h/3</p>	<p>PYRAMID</p>  <p>Surface area of a pyramid = B + Lateral Area (Lateral area = sum of triangular faces) Volume of a pyramid = Bh/3 (B = area of base)</p>
---	---	--	---

<p>CIRCLE THEOREMS</p>  <p>∠x = 90° <i>(PQ is the diameter)</i></p>	 <p>C is the center of the circle</p>	 <p>∠a = ∠b <i>(Both angles intercept arc AB)</i></p>
--	---	---